



# Septic Tanks • Water Cisterns Pump Tanks • Holding Tanks Rain Water Harvesting

Setting the standards for all other tanks. The Roth MultiTank® offers undisputed best-in-class status and the highest brand recognition of any tank in the market. The only tank you will ever need.

## Multi Usage

- For water cistern, pump, holding, rainwater or septic tank
- Low profile
- No water for backfilling required
- Anti buoyancy flange
- Multi port inlet/outlet - RMT is not predrilled - greater flexibility out in the field

## Multi Layer

- Inner layer of FDA approved virgin HDPE, two inside layers of PE for improved stability, plus one outer layer of black and UV-stabilized PE
- 100% watertight
- Strongest & heaviest poly tank on the market

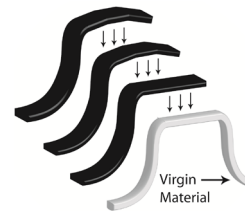
## Multi Coverage

- Lifetime\* Corrosion Protection and 5 years of Labor Insurance Coverage

**BEST TANK. BEST WARRANTY. BEST SYSTEM.**



Our multi-layered tank construction, consisting of virgin material surrounded by 3 layers of protection.

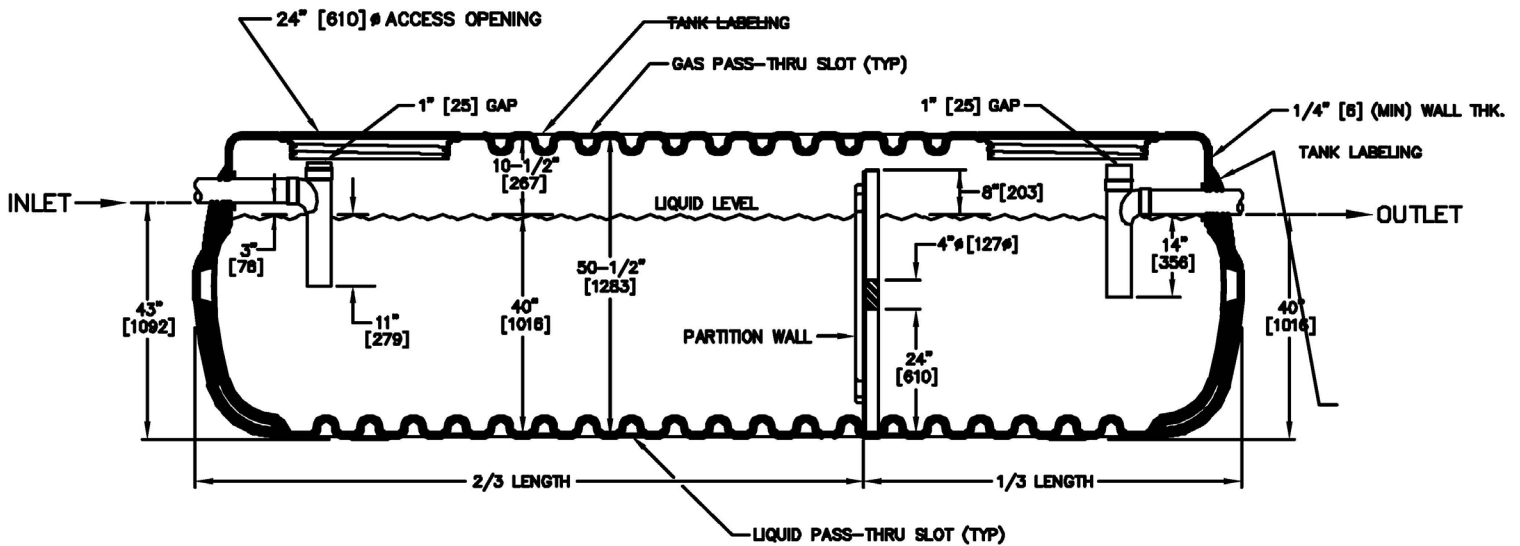
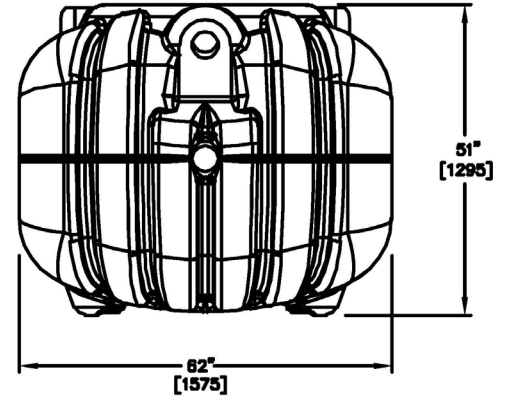
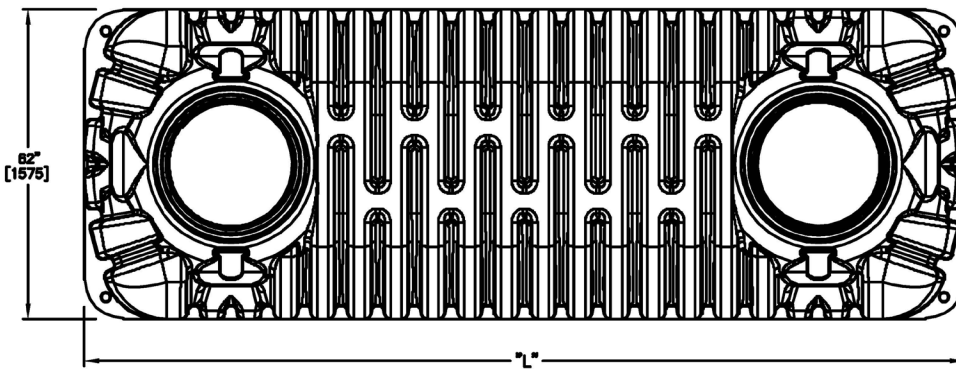


 NSF approved for sizes RMT500 and larger



# Roth MultiTank® Specifications and Dimensions

MODEL (MultiTank)	DESIGN CAPACITY US Gallons (Liters)	TOTAL CAPACITY US Gallons (Liters)	ACTUAL CAPACITY US Gallons (Liters) 40"/42" Liquid level	HEIGHT Inches (mm)	WIDTH Inches (mm)	LENGTH Inches (mm)	WEIGHT Pounds (kilogram)
RMT-300 (single layer)	300 (1136)	325 (1230)	273 (1033)/284 (1075)	54 (1372)	45 (1143)	50 (1270)	120 (54.43)
RMT-500	500 (1893)	535 (2025)	452 (1710)/474 (1794)	51 (1295)	62 (1575)	60 (1524)	225 (102.06)
RMT-750	750 (2840)	1000 (3785)	853 (3229)/898 (3399)	51 (1295)	62 (1575)	103 (2616)	360 (163.29)
RMT-1000E	1000 (3785)	1161 (4394)	990 (3747)/1028 (3891)	51 (1295)	62 (1575)	118 (2997)	450 (204.12)
RMT-1060	1060 (4012)	1337 (5061)	1177 (4455)/1227 (4645)	51 (1295)	62 (1575)	133 (3378)	520 (235.87)
RMT-1250	1250 (4730)	1469 (5560)	1259 (4766)/1319 (4992)	51 (1295)	62 (1575)	148 (3759)	560 (254.01)
RMT-1500	1500 (5678)	1771 (6703)	1540 (5830)/1601 (6060)	51 (1295)	62 (1575)	177 (4496)	640 (290.30)



WARNING: These products can expose you to chemicals such as Titanium Dioxide, Crystalline Silica Quartz and Palygorskite, which are known to the State of California to cause cancer. For more information, go to [www.P65Warnings.ca.gov](http://www.P65Warnings.ca.gov)